



FlexLink S7A-1616

L-Band Switch Matrix 8:8 (expandable to 8:16, 16:8, 16:16)

Made in Germany

GENERAL

The FlexLink S7A-1616 represents a professional L-Band Switch Matrix designed in a compact and space-saving 1RU/19" rack-mount chassis. The standard unit comes with a 8:8 input/output configuration while expansion is easily possible to a maximum of 16:16 (increments of 8) simply by activating the relevant license-key. The FlexLink S7A-1616 supports symmetrical or asymmetrical configurations such as 8:16, 16:8 to a maximum of 16:16.

The unit features an efficient, flexible and reliable solution for today's and future L-Band signal management and allows to switch/route any input to any or all outputs without limitations and interferences, while all combinations of inputs and outputs are configurable locally and remotely.

The FlexLink S7A-1616 supports variable gain adjustment, slope-equalization, RF power monitoring as well as 1:1 redundant dual power-supply. Furthermore the unit features switchable LNB-supply and a 10MHz external reference input.

Isolation, linearity and frequency response values are at the highest level assuring excellent and stable operation with superior RF performance and signal quality. The unit is available with 50Ohm or 75Ohm connectors for the inputs and outputs and upon request it can also be equipped with optical inputs.

The FlexLink S7A-1616 has a LC-Display & keypads for user friendly local configuration. Remote configuration and monitoring can be done via ist rear side Ethernet-Interface (<http://WebGUI>, SNMP) while it can also be integrated into a management and control system (NMS or M&C) via SNMP.

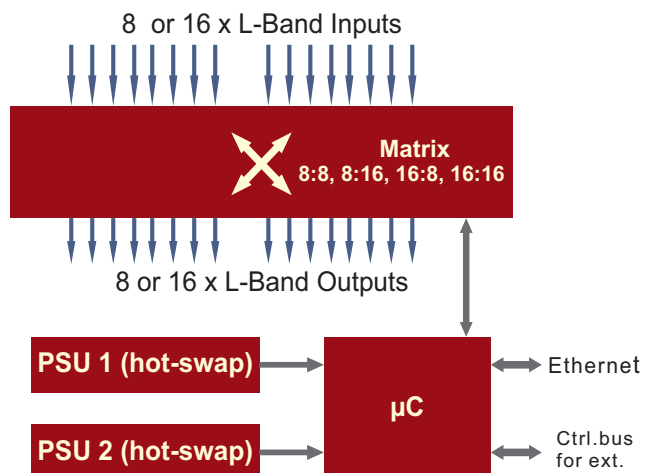
The FlexLink S7A-1616 is an ideal platform for flexible signal switching applications and perfectly suited for integration into Teleports, Satellite Earth Stations, DSNG's as well as Broadcasting and CATV/IPTV headend architectures.



FEATURES & BENEFITS

- Space saving 1RU/19" rack-mount design
- Versatile L-Band switching solution 8:8 to max. 16:16
- Supports symmetrical & asymmetrical sizes such as 8:8, 8:16, 16:8...up to 16:16 (increments of 8)
- Easy expansion of inputs or outputs via license-key activation (increments of 8)
- Available with 50Ohm or 75Ohm connectors
- Available with optical inputs (upon request)
- Variable gain adjustment (@ any input)
- Slope equalization 0...9dB (@ any input)
- RF power monitoring (@ any input)
- Switchable LNB supply 13/15/18V, 22kHz; 400mA current monitoring (@ any input)
- Features 10MHz external reference input (@ any input)
- Superior RF performance, signal quality and stability
- 1:1 redundant dual power supply (hot swappable)

- Low power-consumption & heat generation
- Front side LC-Display & keypads for local configuration
- Rear side Ethernet-Interface for remote configuration (<http://WebGUI>, SNMPv2c)





FlexLink S7A-1616

L-Band Switch Matrix 8:8 (expandable to 8:16, 16:8, 16:16)

Made
in
Germany

TECHNICAL SPECIFICATIONS

➤ Dimensions:	1RU/19" rack mount
➤ Weight/unit:	approx. 7kgs
➤ Power-supply:	85...230V, 50/60Hz (1:1 redundant; hot-swappable)
➤ Power-consumption:	<25W (without LNB-supply)
➤ Frequency range:	950...2150MHz (L-Band)
➤ Capacity (standard):	8:8
➤ Capacity (max.):	16:16
➤ Expansion capacity:	Increments of 8 (input or output) e.g. to 8:16, 16:8...max. 16:16 <i>*via license-key activation</i>
➤ Connectors:	50Ohm SMA(f)/BNC(f)* or 75Ohm F(f)/BNC(f)*
➤ Optical inputs:	SC/APC*
➤ 10MHz external input:	50Ohm SMA(f), rear side
➤ Variable gain control:	-20dB...+10dB (@ any input)
➤ Slope equalization:	0...9dB (@ any input)
➤ RF Input power:	-70dBm, 0dBm max.
➤ Input P1dB:	+3dBm
➤ Max. RF output power:	+10dBm.

**upon request*

➤ Input/Output Return loss:	14dB min, 16dB typ
➤ Isolation:	>60dB min. (Input/Input, Input/Output, Output/Output)
➤ Noise figure:	< 6dB in unit (@ full gain)
➤ Insertion loss:	0dB typ., ± 1dB max.
➤ Frequency response:	± 1dB typ., ± 2dB max.
➤ IMA3 @ -10dBm:	> -50dBc
➤ RF power monitoring:	60dB dynamic range (@ any input)
➤ Switchable LNB supply:	13/15/18V/22kHz, 400mA (@ any input),
➤ Local control:	LC-Display, keypads
➤ Remote control:	100 Mbit Ethernet-Interface, (http./WebGUI, SNMPv2c)
➤ Environmental:	ETSI En300, Part 1-3, Class 3.1
➤ EMC / Safety:	EN 50083-2 / EN 60950-1
➤ Operating temperature:	0...45°
➤ Storage temperature:	-10...65°C
➤ Humidity:	90% non condensing
➤ RoHS:	Compliant

ORDER INFORMATION

➤ FlexLink S7A-1616-50S:	L-Band Switch Matrix 8:8 50Ohm SMA(f)
➤ FlexLink S7A-1616-50B:	L-Band Switch Matrix 8:8 50Ohm BNC(f)
➤ FlexLink S7A-1616-75F:	L-Band Switch Matrix 8:8 75Ohm F(f)
➤ FlexLink S7A-1616-75B:	L-Band Switch Matrix 8:8 75Ohm BNC(f)
➤ *FlexLink S7A-1616-OS50S:	L-Band Switch Matrix 8:8 Optical IN SC/APC, 50Ohm SMA(f) OUT
➤ *FlexLink S7-1616-OS50B:	L-Band Switch Matrix 8:8 Optical IN SC/APC, 50Ohm BNC(f) OUT
➤ *FlexLink S7A-1616-OS75F:	L-Band Switch Matrix 8:8 Optical IN SC/APC, 75Ohm F(f) OUT
➤ *FlexLink S7A-1616-OS75B:	L-Band Switch Matrix 8:8 Optical IN SC/APC, 75Ohm BNC(f) OUT

**upon request*

➤ INPUT & OUTPUT EXPANSION (e.g 8:16, 16:8...max. 16:16)	
➤ FlexLink S7A-1616-LKI:	8 input port activation license key
➤ FlexLink S7A-1616-LKO:	8 output port activation license key